

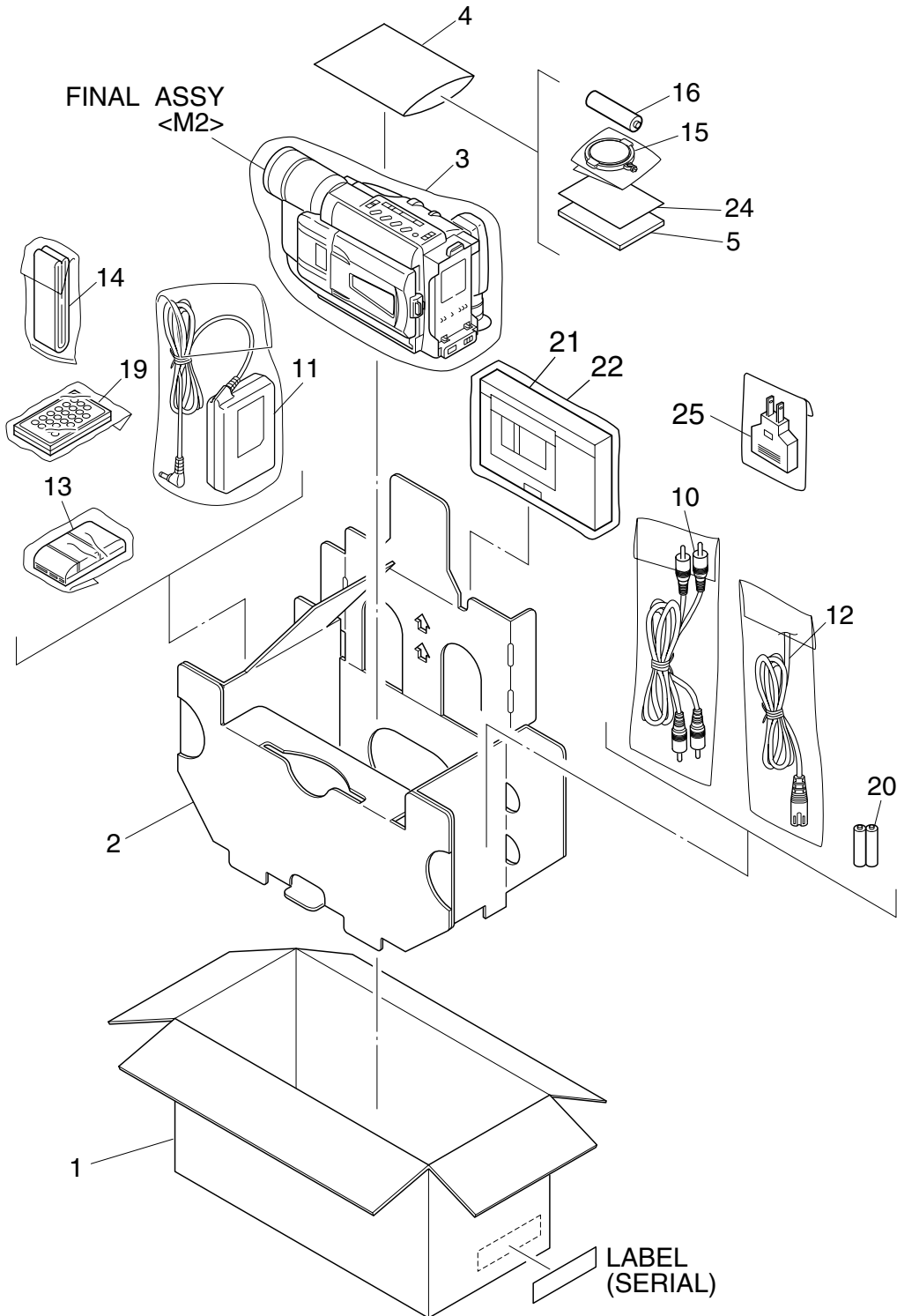
SECTION 5 PARTS LIST

SAFETY PRECAUTION

Parts identified by the  symbol are critical for safety. Replace only with specified part numbers.

5.1 PACKING AND ACCESSORY ASSEMBLY <M1>

The instruction manual to be provided with this product will differ according to the destination.



△ REF No. PART No. PART NAME, DESCRIPTION

PACKING AND ACCESSORY ASSEMBLY <M1>

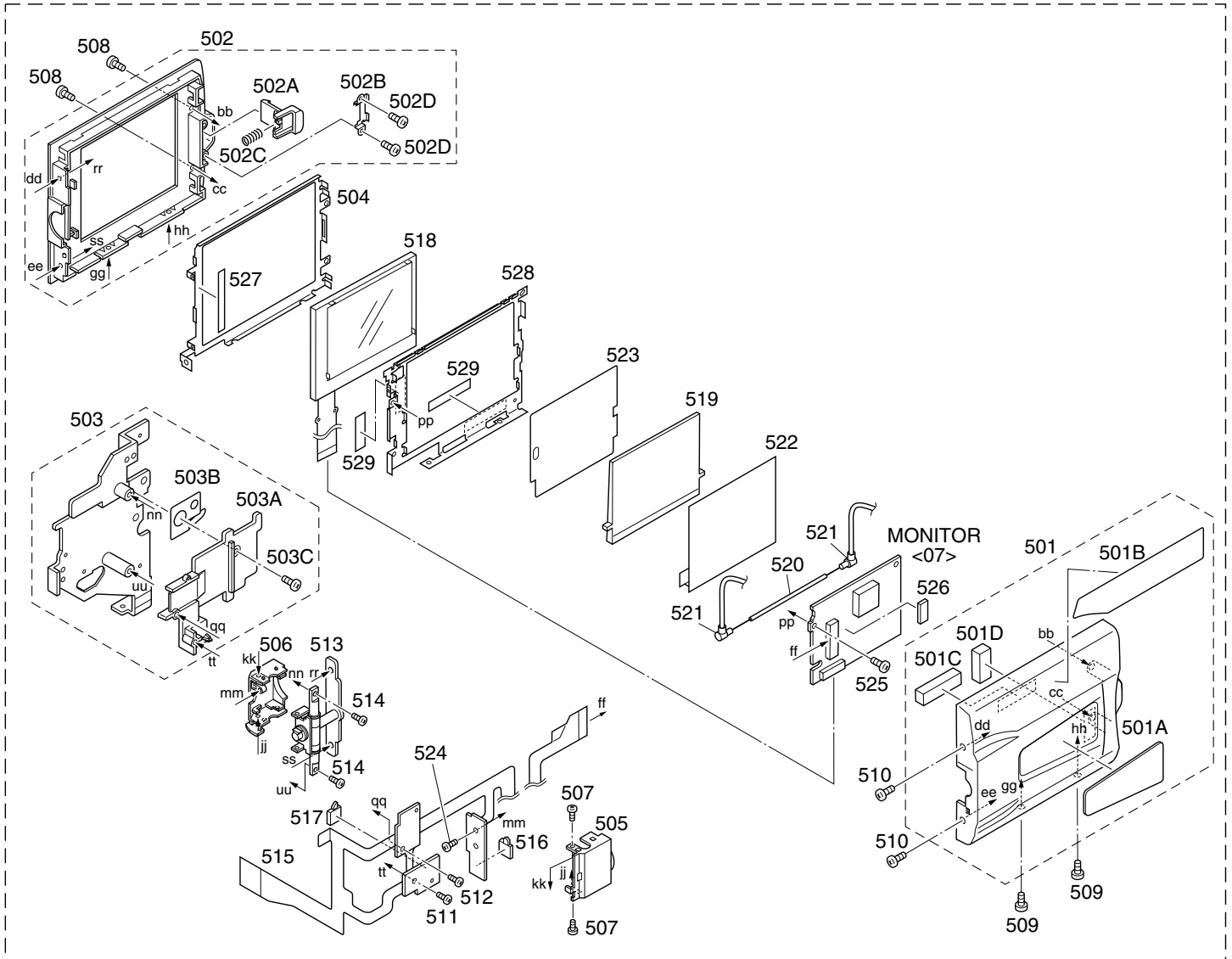
- 1 LY32563-005A PACKING CASE,E
- LY32563-007A PACKING CASE,F
- LY32563-009A PACKING CASE,C
- LY32563-011A PACKING CASE,D
- LY32563-013A PACKING CASE,A
- LY32563-015A PACKING CASE,B
- 2 LY32553-001A CUSHION
- 3 LY30023-002A POLY BAG
- 4 QPA02003506 POLY BAG
- △ 5 LYT0868-001A INST.BOOK(EN)
- △ LYT0868-002A INST.BOOK(CH)
- △ LYT0868-003A INST.BOOK(RU)
- △ LYT0868-004A INST.BOOK(AR)
- 10 PEAC0362-150 CABLE ASSY,AUDIO/VIDEO CABLE
- △ 11 LY20847-001B AC ADAPTER,AP-V12EG
- △ 12 QMPS110-190-JR POWER CORD,B,D,F
- △ QMPL120-190-JR POWER CORD,A,C,E
- △ 13 YQ10629E BATTERY PACK,BN-V11U-E
- 14 LY20186-001A SHOULDER STRAP
- 15 LY43388-001A LENS CAP
- 16 - BATTERY,AA(R6)
- 19 LY42129-001A REMOTE CONTROL UNIT,RM-V715U,C,D,E,F
- 20 - BATTERY,AAA(R03),X2,C,D,E,F
- 21 YQ31963B-3 CASSETTE ADAPTER, C-P7U
- 22 YQ43446 POLY BAG
- △ 24 LYT0609-001A SHEET(CON.PLUG)
- △ 25 PEMC1012 CONVERSION PLUG,B,D,F
- △ PEMC1012-02 CONVERSION PLUG,A,C,E

MODEL	MARK
GR-SXM180A	A
GR-SXM180A-S	B
GR-SXM280A	C
GR-SXM280A-S	D
GR-SXM480A	E
GR-SXM480A-S	F

- **INSTRUCTIONS**
- RU RUSSIAN
- EN ENGLISH
- CH CHINESE
- AR ARABIC

5.2 MONITOR ASSEMBLY <M5> [GR-SXM480A/A-S]

500



▲ REF No. PART No. PART NAME, DESCRIPTION

MONITOR ASSEMBLY <M5>

▲ 500	LY20836-004A	MONITOR ASSY
▲ 501	LY20834-001A	MONITOR COVER ASSY
501A	LY32329-002A	PLATE(WINDOW)
501B	LY32554-001A	STICKER(B)
501C	LY30029-0R3A	SPACER(A)
501D	LY30029-0R4A	SPACER(A)
502	LY32035-001A	MONITOR CASE(3)ASSY
502A	LY31954-001A	KNOB(LOCK)
502B	LY42760-001A	BRACKET(LOCK)
502C	LY30002-043A	COMPRESION SPRING
502D	LY30018-063A	SPECIAL SCREW,X2
503	LY32034-003A	BRACKET(UPPER)ASSY
503A	LY20652-003A	HOLDER
503B	LY42761-001A	EARTH PLATE
503C	QYSLSP2025D	SCREW
504	LY32332-001A	SHIELD CASE(3)
505	LY31939-001A	HINGE COVER(UPPER)
506	LY31940-001A	HINGE COVER(LOWER)

▲ REF No. PART No. PART NAME, DESCRIPTION

507	LY30018-0C9A	SPECIAL SCREW,X2
508	LY30018-052A	SPECIAL SCREW,X2
509	LY30018-0C9A	SPECIAL SCREW,X2
510	LY30018-0C5A	SPECIAL SCREW,X2
511	QYSLSF2040D	SCREW
512	QYSLSP2070D	SCREW
513	LY31957-001A	HINGE ASSY
514	LY30018-090A	SPECIAL SCREW,X2
515	QAL0391-001	FPC
516	NSW0095-001X	DETECT SWITCH,REVERSE
517	NSW0105-001X	DETECT SWITCH,OPEN
518	QLD0213-001	LCD MODULE
519	LY43391-001A	LIGHT SCREEN
520	QLL0111-001	LAMP
521	LY43394-001A	HOLDER,X2
522	LY43395-001A	SHEET
523	LY43363-001A	DIFFUSION SHEET(3)
524	LY30018-063A	SPECIAL SCREW
525	LY30018-0C9A	SPECIAL SCREW
526	LY30016-049A	SPACER-A
527	LY30029-0R6A	SPACER(A)
528	LY32333-001A	LCD FRAME(3)
529	LY30029-0R5A	SPACER(A),X2